



USB 2.0 Mobile Disk K21/K24/M24Series MD3 Type Specification

Version 1.0

本文件為勤茂資通(股)有限公司專有之財產，非經書面許可，不准透露或使用本文件，亦不准複製或轉變成任何其他形式使用。如有任何修改恕不另行通知

The information contained herein is the exclusive property of TwinMOS Technologies Inc. and shall not be distributed, reproduced, or disclosed in whole or in part without prior written permission of TwinMOS Technologies Inc. TwinMOS Technologies Inc reserved the right to make changes without ant prior notice. <http://www.twinmos.com>

Contents

A. Product Outline	3
B. System Features	4
C. Block Diagram	5
D. Electrical Specifications	6
E. Housing Dimension Diagram	8

Revision History

Version	Date	Description
V1.0	2003/7/15	1.New release.

本文件為勤茂資通(股)有限公司專有之財產，非經書面許可，不准透露或使用本文件，亦不准複製或轉變成任何其他形式使用。如有任何修改恕不另行通知

The information contained herein is the exclusive property of TwinMOS Technologies Inc. and shall not be distributed, reproduced, or disclosed in whole or in part without prior written permission of TwinMOS Technologies Inc. TwinMOS Technologies Inc reserved the right to make changes without ant prior notice. <http://www.twinmos.com>



A. General Description :

PC based mass storage product with the capability of file & directory read & write function through USB connection. Easy carry and transport final product with manual write protection function. Mobile Disk can be partitioned into public and/or security area by the application software . Only one partition (public or security area) can be seen at one time with a predefined password to switch areas.

Product Models :

Product Model	Capacity
FMG128S	128 MB
FMG256S	256 MB
FMG512S	512 MB
FMG1GBS	1024MB

本文件為勤茂資通(股)有限公司專有之財產，非經書面許可，不准透露或使用本文件，亦不准複製或轉變成任何其他形式使用。如有任何修改恕不另行通知

The information contained herein is the exclusive property of TwinMOS Technologies Inc. and shall not be distributed, reproduced, or disclosed in whole or in part without prior written permission of TwinMOS Technologies Inc. TwinMOS Technologies Inc reserved the right to make changes without ant prior notice. <http://www.twinmos.com>



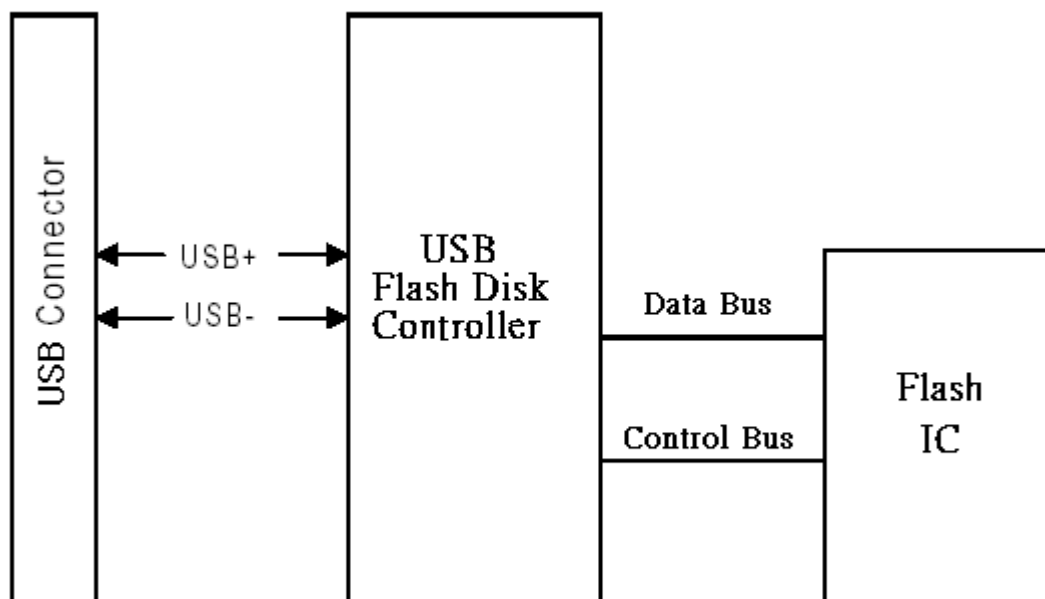
B. Product Feature :

- Mass storage class controller with Universal Serial Bus interface
- USB Specification Compliance
 - Conforms to high-speed (480Mb/s) USB Specification, Version 2.0
 - Meet bus power specification
- Write-protected ability
- Higher reliability: ECC on the fly
- Automatic bad block management
- Supported OS:
 - Win XP, Win2000, Windows ME, Linux 2.4 above, and MAC OS 9.0 & higher
 - Win 98/Win98SE driver available
 - Mac 8.6 mass storage driver available from Apple
- Multiple LUN Windows driver is available
- LED indication: Suspend, Active, Idle modes.
- Recommended operating temperature : 0 – 85°C
- Connector durability: Testing to 10000 cycles.

本文件為勤茂資通(股)有限公司專有之財產，非經書面許可，不准透露或使用本文件，亦不准複製或轉變成任何其他形式使用。如有任何修改恕不另行通知

The information contained herein is the exclusive property of TwinMOS Technologies Inc. and shall not be distributed, reproduced, or disclosed in whole or in part without prior written permission of TwinMOS Technologies Inc. TwinMOS Technologies Inc reserved the right to make changes without ant prior notice. <http://www.twinmos.com>

C. Block Diagram



本文件為勤茂資通(股)有限公司專有之財產，非經書面許可，不准透露或使用本文件，亦不准複製或轉變成任何其他形式使用。如有任何修改恕不另行通知

The information contained herein is the exclusive property of TwinMOS Technologies Inc. and shall not be distributed, reproduced, or disclosed in whole or in part without prior written permission of TwinMOS Technologies Inc. TwinMOS Technologies Inc reserved the right to make changes without ant prior notice. <http://www.twinmos.com>



D. Electrical Specifications

■ Absolute Maximum Ratings:

Symbol	Parameter	Rating	Units
V _{CC}	2.5V Power supply	-0.3 to 3.0	V
	3.3 Power supply	-0.3 to 3.9	V
V _{IN2}	Input voltage of 2.5V I/O	-0.3 to V _{CC21} +0.3	V
	Input voltage of 2.5V I/O with 3.3V Tolerance	-0.3 to 3.9	V
V _{IN3}	Input voltage of 3.3V I/O	-0.3 to V _{CC31} +0.3	V
	Input voltage of 3.3V I/O with 5V Tolerance	-0.3 to 5.5	V
T _{STG}	Storage temperature	-40 to 150	°C

■ Recommended Operating Conditions:

Symbol	Parameter	Min.	TYP	Max.	Unit
V _{CCK}	Core Power supply	2.25	2.5	2.75	V
V _{CC31}	Power Supply of 3.3V I/O	3.0	3.3	3.6	V
V _{CC30}	Power Supply of 3.3V I/O	3.0	3.3	3.6	V

■ General DC Characteristics:

Sym.	Parameter	Conditions	Min.	TYP	Max.	Unit
I _{IL}	Input leakage current	No pull up/down	-10		10	μA
I _{OZ}	Tri-state leakage current		-10		10	μA
C _{IN}	Input capacitance			3.1		pF
C _{OUT}	Output capacitance			3.1		pF
C _{BID}	Bi-directional Buffer capacitance			3.1		pF

本文件為勤茂資通(股)有限公司專有之財產，非經書面許可，不准透露或使用本文件，亦不准複製或轉變成任何其他形式使用。如有任何修改恕不另行通知

The information contained herein is the exclusive property of TwinMOS Technologies Inc. and shall not be distributed, reproduced, or disclosed in whole or in part without prior written permission of TwinMOS Technologies Inc. TwinMOS Technologies Inc reserved the right to make changes without ant prior notice.

<http://www.twinmos.com>



■ DC Electrical Characteristics:

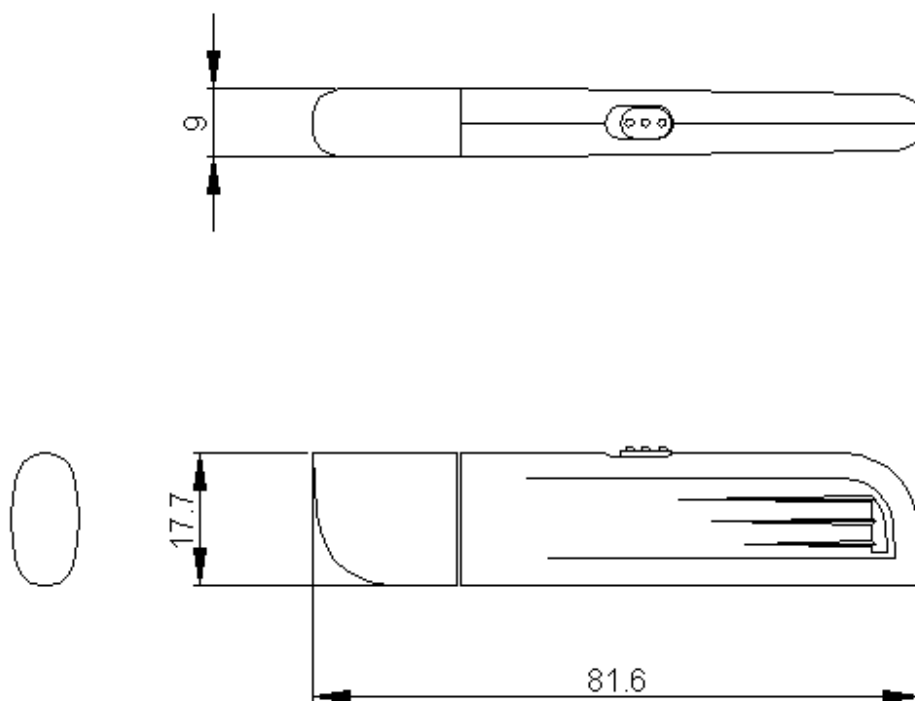
Sym.	Parameter	Min.	TYP	Max.	Unit
V _{CCK}	Core power Supply	2.25	2.5	2.75	V
V _{CC2I}	Power Supply	3.0	3.3	3.6	V
V _{CC2O}	Power Supply	3.0	3.3	3.6	V
V _{IL}	Input Low Voltage			0.8	V
V _{IH}	Input High Voltage	2.0			V
V _{t-}	Schmitt input low voltage	0.8	1.1		V
V _{t+}	Schmitt input high voltage		1.6	2.0	V
V _{OL}	Output low voltage			0.4	V
V _{OH}	Output high voltage	2.4			V
R _{pu} /R _{pd}	Input pull up/down resistance		75		kΩ

本文件為勤茂資通(股)有限公司專有之財產，非經書面許可，不准透露或使用本文件，亦不准複製或轉變成任何其他形式使用。如有任何修改恕不另行通知

The information contained herein is the exclusive property of TwinMOS Technologies Inc. and shall not be distributed, reproduced, or disclosed in whole or in part without prior written permission of TwinMOS Technologies Inc. TwinMOS Technologies Inc reserved the right to make changes without ant prior notice.

<http://www.twinmos.com>

F. Housing Dimension Diagram



本文件為勤茂資通(股)有限公司專有之財產，非經書面許可，不准透露或使用本文件，亦不准複製或轉變成任何其他形式使用。如有任何修改恕不另行通知

The information contained herein is the exclusive property of TwinMOS Technologies Inc. and shall not be distributed, reproduced, or disclosed in whole or in part without prior written permission of TwinMOS Technologies Inc. TwinMOS Technologies Inc reserved the right to make changes without ant prior notice.

<http://www.twinmos.com>